

Items included in this kit:

- Two rubber cable channels (one small and one large)
- Rubber plugs (17 small and 6 large; spares included)
- Two plates for cable access openings (one small and one large)
- Ten thumb screws (spares included)
- Grease packet
- Wrench

**Important:** The components in this kit are for the HOBO RX3000 Remote Monitoring Station and are required for outdoor and weatherproof deployments and recommended for harsh indoor environments where debris could enter the station.

Follow these instructions for installing the channel kit:

## 1 Install all sensors and cables.

Make sure all sensors and cables are installed in the station as described in the HOBO RX3000 Remote Monitoring Station Manual.

## 2 Swap out the smaller cable channel if using a water level sensor.

If a water level sensor module is installed, you will need to use the rubber cable channel packaged with the water level sensor module rather than the smaller of the two rubber cable channels in this kit.

## 3 Grease one of the rubber cable channels.

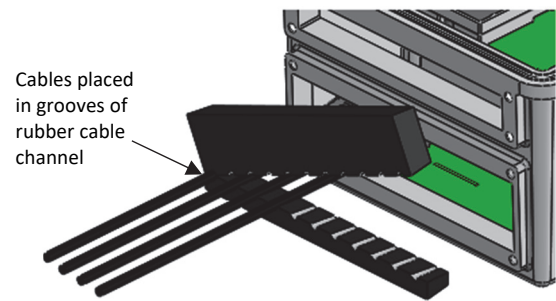
- a. Apply a small amount of silicone grease (about the size of a pea) onto your fingertip.
- b. Lightly coat all four outer edges on the rubber cable channel with grease.
- c. Open the cable channel and lightly coat the inside of both halves (the part with the grooves).

## 4 Lightly coat the portion of each cable that will be in the channel with grease.

## 5 Position the cable channel around the cables, routing the cables through the proper grooves.

- a. Open the greased rubber cable channel so that the channel's hinged side is oriented to the left.
- b. Place each cable or wire into a single groove in the cable channel, installing them from left to right.
  - For the large cable channel, place smart sensor cables in the grooves. If using the grounding wire, place the black portion of it into the rightmost hole in the cable channel (the hole farthest from the hinged side).

## 5 (continued)



- If you are using the small cable channel from this kit (not the cable channel shipped with the water level sensor module), place the AC adapter, solar panel cable, or external DC power cable and any analog sensor cables or relay wires in each of the grooves. Place larger cables in the five grooves on the left closest to the hinged side and smaller cables in the five grooves on the right.
- If you are using the small cable channel that was shipped with the water level sensor module (not the cable channel from this kit), place the water level sensor cable in one of the two medium holes. Place the AC adapter or solar panel cable and any analog sensor cables or relay wires in each of the remaining grooves, with larger cables in the four largest grooves and smaller cables in the four smallest grooves.
- The cable diameter must be 4.0 mm (0.156 in.) to fit through one of the smaller holes or 6.4 mm (0.25 in.) to fit through one of the larger holes in the rubber cable channel. If the cable diameter is too small, build up the diameter using heat shrink. If the cable is too big, splice on another cable with a smaller diameter to fit through the hole. If you are using the rubber cable channel designed for the water level sensor, reserve the medium holes for the water level sensor cable.

## 6 Close the cable channel.

Make sure all cables and wires remain in the grooves.

## 7 Place the cable channel in the station opening.

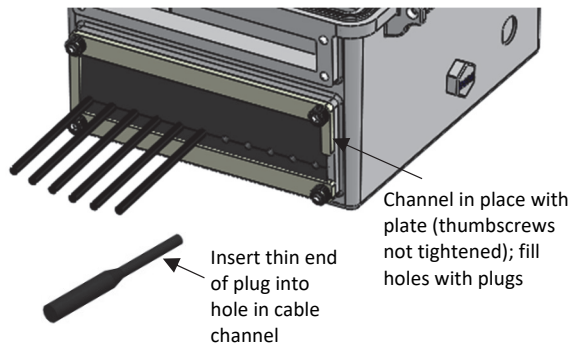
Press the cable channel into the opening until it is flush with the outside of the case (when fully seated, the channel will project slightly into the inside of the case). To reduce the amount of excess cable in the case, gently pull the cables toward you as you press the channel into place.

## 8 Install the plate with loosely installed thumbscrews.

Using thumbscrews, install the plate on the cable access opening to hold the rubber cable channel in place. (Use the smaller plate for the top opening and the larger plate for the larger opening.) *Do not fully tighten the thumbscrews yet; keep them loosely installed while you install the rubber plugs in the next step.*

## 9 Grease and install rubber plugs.

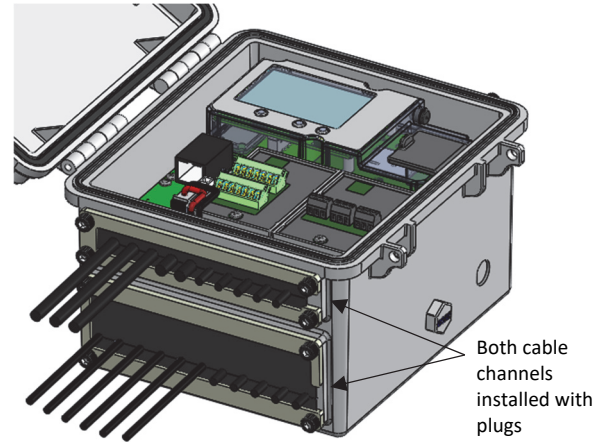
Lightly coat rubber plugs with a small amount of grease and use the plugs to fill any empty holes in the two cable channels. Insert the thin part of the plug into the hole and push it in until the thick part of the plug fills the hole. Use the large plugs in the larger holes and the small plugs in the smaller holes. If you are using the rubber cable channel designed for the water level sensor, then use one of the medium plugs included with the water level sensor module to fill an empty medium-sized hole.



## 10 Repeat steps 2 through 9 with the other cable channel.

## 11 Tighten thumbscrews.

Use the included wrench to tighten the four thumbscrews on each of the two plates until the plates are flat against the case.



For additional information about the RX3000 Remote Monitoring Station, refer to the user's guide at [www.onsetcomp.com/resources/documentation/18255-rx3000-manual](http://www.onsetcomp.com/resources/documentation/18255-rx3000-manual) or scan the code at the left.