

Inside this package:

- Logger housing
- 2 cable ties
- 3 o-rings

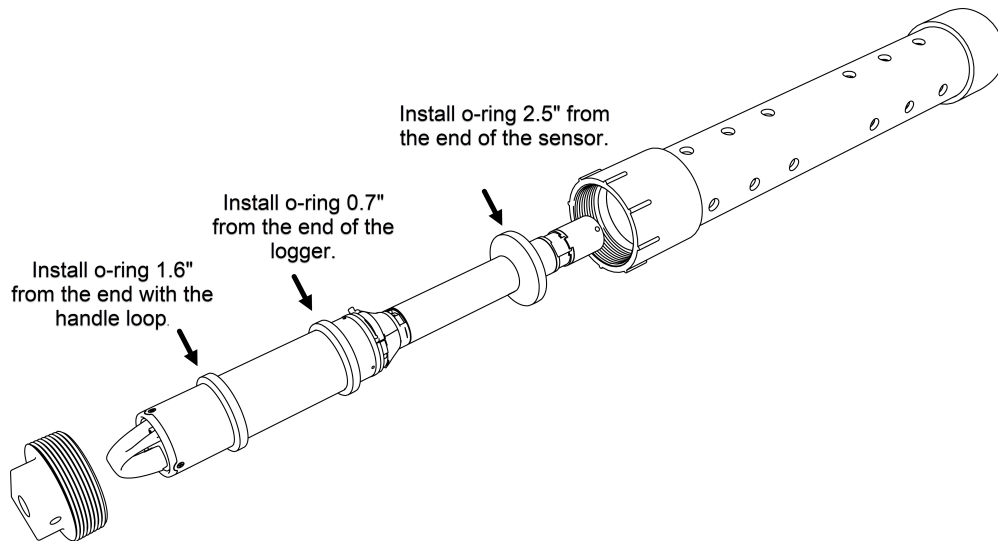
The logger housing is designed for HOBO[®] MX800 series loggers to provide added protection for the logger while allowing water to pass freely to the sensors.

Specifications

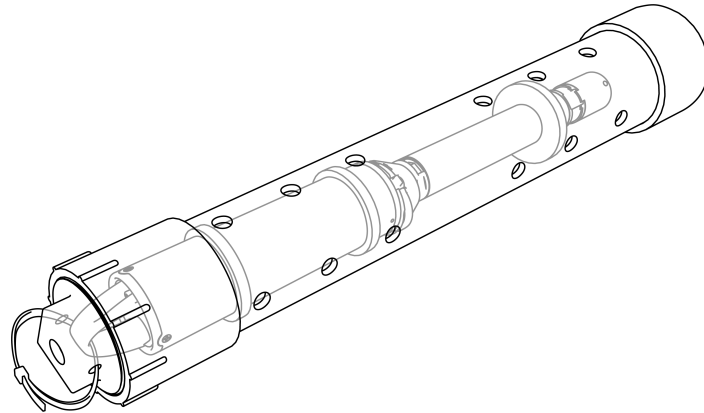
Material	PVC
Weight	1.35 lbs
Dimensions	18.5" X 2.85"

Installing the Logger in the Housing

1. Install two o-rings on the logger and one o-ring on the sensor, as shown in the following image.

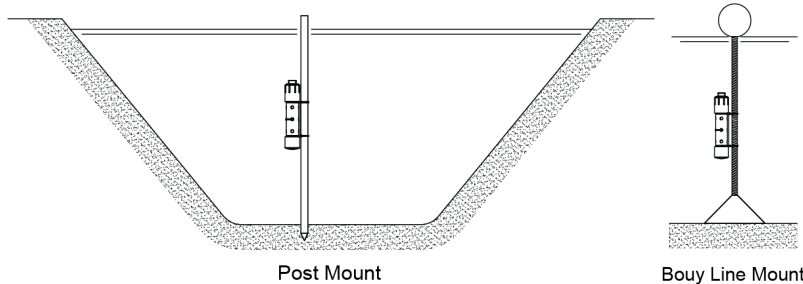


2. Install the cable tie by slipping it through the holes in the square portion of the end cap and through the logger's mounting loop.
3. Slide the end cap and logger assembly into the housing and screw the end cap into the housing. Tighten the cable tie to secure the logger to the cap.



Deployment Considerations

- Secure the housing to a post or buoy line using heavy duty cable ties or hose clamps.



- To suspend the housing from a cable, use a drill to enlarge the two holes in the square nut of the end cap, so that those are large enough for the cable and the cable tie holding the logger in place. Feed the cable through these holes and the logger mounting loop. Do not suspend the housing from the cable tie.
- Refer to the [HOBO MX800 Series User's Guide](#) for additional deployment information.

Removing the Logger from the Housing

- If necessary, use an adjustable wrench to remove the cap.
- Remove the logger to perform any required maintenance. See the [HOBO MX800 Series User's Guide](#) as needed.
- If necessary, use cutters to clip the cable tie that secures the logger to the end cap.